



GB



CHINESPORT SPA
Via Croazia 2 – 33100 UDINE
(Italy)
Tel. ++39 0432 621621
Fax ++39 0432 621620
www.chinesport.com

BA No.: 02.07.082/02-12



User Instructions

Shower and Commode Wheel Chairs

Shower & Commode Wheel Chair "Berlin" Art. No.: 01821 / 130 kg
Serial Number



Commode Wheel Chair "Bonn" Art. No.: 01813 / 130 kg
Serial Number



Shower Wheel Chair "Erfurt" Art. No.: 01817 / 130 kg
Serial Number



Shower & Commode Wheel Chair "New York" Art. No.: 01219 / 150 kg
Serial Number



Commode Wheel Chair "Boston" Art. No.: 01750 / 150 kg
Serial Number



Shower Transport Wheel Chair "Oslo" Art. No.: 01966 / 150 kg
Serial Number

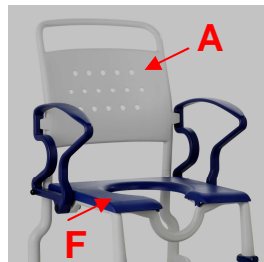


Also available with IV Pole

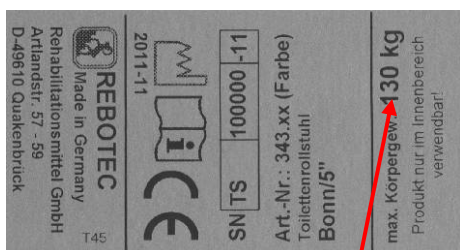


Important advisories!

- Read this User Instructions **before first time use** of the chair and keep it at hand for the user.
- Adhere to all advisories, especially the safety advisories.
- Keep this User Instructions booklet at hand for future use and subsequent sales.

**Product description****Bonn****Erfurt****Chair picture shows:**

A	Backrest
B	Armrest swingable
C	Locking pins
D	Chair frame
E	PUR seat with or without hygiene opening
F	Shower seat
G	Toilet seat
K	PUR seat cushion (removable)
N	Wheel complete with brake
O	Wheel complete without brake
P	Footrest with foot-plate (adjustable)
R	PUR back cushion
V	Commode pan
W	Pan receptacle
Z	Nameplate for product

Nameplate (Z) Example: Chair - Bonn

Always observe allowable maximum patient body weight!

The name-plate is very important for product identification, and thus must not be removed.

Table of contents

1.	General advisories	3
1.1	Introduction	3
1.2	Intended proper use, advisories	3
1.3	Shower wheel chair	3
1.4	Commode wheel chair	3
1.5	Shower/Commode wheel chair	3
2.	Warranty	3
3.	Spare parts orders, complaints	3
4.	Re-use, lifetime	3
5.	Disposal	3
6.	Symbol advisory	3
7.	Safety advisories, use	4
8.	Product specifications	4
8.1	Scope of delivery	4
8.2	Technical specifications	5
9.	Spare parts for accessories	5
10.	Setting up the chair for use	5
11.	Using the chair	6
11.1	Sitting down	6
11.2	Getting up	6
11.3	Swiveling the armrests outwards	6
11.4	Adjusting the footrest height	6
11.5	Folding away footrests	6
11.6	Removing the footrests	7
11.7	Removing the seat	7
11.8	Removing the cushion back	7
11.9	Using the wheel locks	7
11.10	Handling the commode pan	7
11.11	Driving over a toilet	7
12.	Troubleshooting	7
13.	Care	7
14.	Maintenance	7
	Accessories	8



We recommend, if possible, keeping the packaging for later transport. This will allow secure packaging in the event of a return transport.



1. General advisories

1.1 Introduction

In these User Instructions you will find information and advisories for start-up, use, operation, maintenance and care of the shower/commode wheel chair.

1.2 Intended proper use, advisories

The shower/commode wheel chair is for homecare and out-patient purposes. The chair is to be used exclusively for assistance during showering or bathing, using a toilet or for transfer of persons inside buildings. The shower/commode wheel chair is not designed for long periods of sitting.



The chair is not suitable for use in wet areas (e.g. for saunas, areas with swimming pool-like conditions), as surface discoloration and adverse effects on the mechanical strength can result.

Store the chair only in a dry condition!

The chairs are made of a corrosion-resistant frame and four rubber-wheeled castors with locking brakes for the back castors. The armrests can be swivelled outwards. The footrests are height-adjustable and can be removed and folded away. The chairs can be rolled over a conventional bathroom toilet.

Pay attention to the ambient conditions when using the chair. The chair may be used only for very short times in conditions that are outside the limits.



Ambient temperature: 0 – 40°C (104°F)
Relative humidity: 30% - 70%

1.3 Shower wheel chair

The shower wheel chair may be used where the use of or access to a conventional shower or bathtub is no longer possible due to patient physical limitations. The shower must be designed so that the wheel chair can be rolled into it unhindered.

1.4 Commode wheel chair

The commode wheel chair may be used where the use of or access to a conventional toilet is no longer possible due to patient physical limitations. The seat surface has a toilet-like cut-out under which a toilet pan can be pushed in.

1.5 Shower and commode wheel chair

A shower and commode wheel chair is a combination of both applications.

2. Warranty

There is a **2-year warranty** on our shower and commode chairs. A prerequisite for the warranty is use in accordance to the requirements outlined herein, as well as conducting regular maintenance. Excluded are all wear parts. Not observing the User Instructions, improper maintenance,

unauthorised modifications done to the product without the manufacturer's permission automatically lead to the immediate nullification of warranty and product liability (see Maintenance).

The delivery date written on the delivery note applies as the valid start date of the warranty period.

3. Spare parts orders, complaints

To exclude incorrect spare parts deliveries and to ensure rapid processing of complaints, always provide the product name, serial number (SN) and the product's year of manufacture. You can find this information on the chair's nameplate.

4. Re-use, lifetime

The product is designed for re-use. The re-use (lifetime) depends on the product's condition.

Before re-use, maintenance of the chair must be conducted and the applicable instructions concerning safety, care and maintenance must be fully adhered to.

The expected lifetime of the chair can be **up to 5 years** when used properly and the safety instructions, maintenance intervals and care instructions are followed.

Beyond this time period, the chair can be used further if it is still in a safe condition (after a complete inspection).

5. Disposal

Products that can no longer be used are to be disposed of separately from regular household rubbish. This must be done according to the local and national regulations for environmental protection and raw material recycling. Please contact your local disposal company or officials for further information.

6. Symbol advisories

Symbol - nameplate:



Read the User Instructions!



Product conforms to the Medical Products Directive 93/42/EEC



Year of Manuf.
Product



Serial No
Product

Symbols in the User Instructions:



Important advisory
or information!



Language



Caution – Follow safety advisories!



Care



Maintenance



7. Safety advisories for use

When using the chair, the following safety advisories must be observed:



Danger of slipping!

- Before using, check to be sure the seat is securely pressed into the seat frame.
- Always lock the wheels of the rear castors before using the chair. This is to prevent the chair from rolling away.
- When sitting down into the chair, the user must not sit on the front edge of the seat or seat cushion. Be sure the user sits all the way back on the seat.



Danger of tipping over!

- The chair may be used only when the armrests are locked into position, when sitting and when rolling.
- The chair may be pushed only using the push bow (backrest).
- The footrests must be swivelled away or folded up whenever the patient sits down or gets up. The patient must never attempt to stand on the footrests!
- The chair must not bump into door sills, jambs or on uneven surfaces.
- Use the chair only indoors and on solid, even, non-slippery surfaces.
- The chair may be pushed only at a walking speed or less (with or without the patient).
- Do not lean out of the chair (when the chair is still or in motion). If the swivel castors are swivelled inwards, then the stability of the chair is decreased.



Danger of breakage!

- **Never** attempt to carry or lift the chair while a patient is sitting in it.
- **The chair is suitable only for transporting persons. Be sure to observe the maximum allowable patient body weight (specified on the nameplate)!**
- Never expose the chair to wide temperature variations. Observe the instructions concerning the temperature range of use (**see: 1.2**).
- Do not grab hold of or pull on attached objects, such as IV Pole, armrest cushions.



Danger of pinching!

- To prevent body parts or objects from getting pinched, never reach into the hinge area when turning the armrests up or down. Be sure to check that the hinge areas are unobstructed before moving the armrests!
- To prevent body parts from getting pinched, do not reach between the seat and the frame when pressing the seat into the seat frame.

- Be sure other parts do not get jammed when folding and unfolding the footrests.



Danger of falling!

- Sitting down, standing up and moving the patient should be supervised by a qualified care-worker, as to the health condition of the patient.
- Use of the chair by patients who do not have complete physical control and normal movement must not be done unsupervised.
- Rolling the chair on any sloped surface may be done **only** with the assistance of a care worker.



Warning! Danger of Injury!

- At surface temperatures over 40°C (104°F), there's a risk of injury. Therefore do not expose the chair to any source of heat (exposure to the sun, storing near a heater, cleaning with hot water) just before the chair is used. Before using the chair, allow it to cool down.

8. Product specifications

8.1 Scope of delivery

The product has been carefully inspected in the factory for freedom of defects and for completeness. After having received it, carefully check over the product for possible transport damages and for completeness.

- 1 shower / commode wheel chair
- 1 back-rest
- 1 seat
- 1 commode pan (optional)
- 1 User Instructions
- Accessories (optional)

8.2. Technical specifications

We reserve the right to make technical developments and improvements with respect to the design shown in the User Instructions.

Dimensions (ca.)	Berlin	Bonn
A. height	101 cm	101 cm
B. width	56 cm	56 cm
C. depth	87 cm	87 cm
D. seat height	55 cm	53 cm
E. seat width	46 cm	46 cm
F. seat depth	45 cm	45 cm
G1. clearance *	43 cm	44 cm
G2. clearance *	47 cm	47 cm
H. foot height	33-48 cm	33-48 cm
I. Wheel 5"	12.5 cm	12.5 cm
Body weight	max. 130 kg	max. 130 kg
Product weight**	15.9 kg	14.5 kg

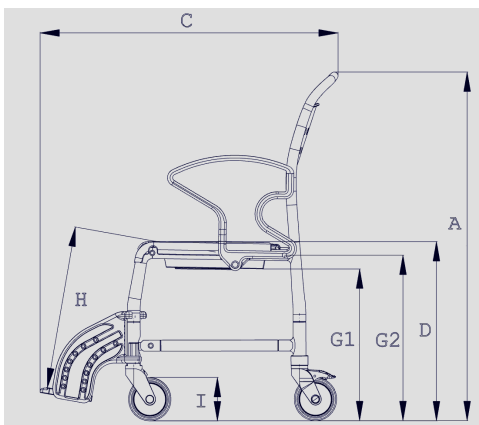
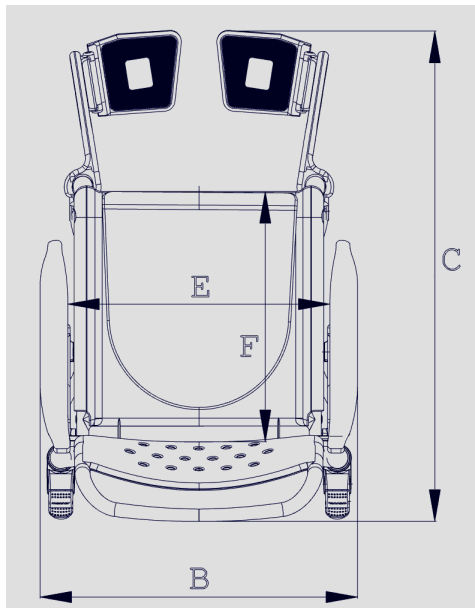


Dimensions (ca.)	Erfurt	New York
A. height	101 cm	104 cm
B. width	56 cm	62 cm
C. depth	87 cm	89 cm
D. seat height	53 cm	55 cm
E. seat width	46 cm	52 cm
F. seat depth	45 cm	45 cm
G1. clearance *	43 cm	43 cm
G2. clearance *	47 cm	47 cm
H. foot height	33-48 cm	35-50 cm
I. wheel 5"	12.5 cm	12.5 cm
Body weight	max. 130 kg	max. 150 kg
Product weight **	11.9 kg	16,6 kg
Dimensions (ca.)	Boston	Oslo
A. height	104 cm	103 cm
B. width	62cm	64 cm
C. depth	89 cm	106 cm
D. seat Height	53 cm	56 cm
E. seat width	52 cm	52 cm
F. seat depth	45 cm	45 cm
G1. clearance*	44 cm	-----
G2. clearance*	47 cm	-----
H. foot height	35-50 cm	35-50 cm
I. wheel 5"	12.5 cm	12.5 cm
Body weight	max. 150 kg	max. 150 kg
Product weight**	16.2 kg	16.5 kg

* G1 = with pan receptacle

* G2 = without receptacle

** Product weight without accessories



9. Spare parts, accessories

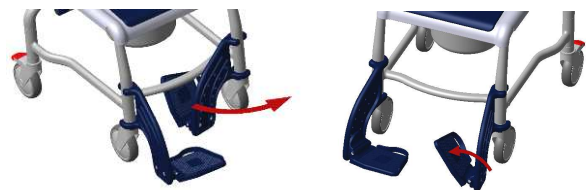
Article No.	Name
Spare part	
301. *	Commode pan with lid
309. *	Pan receptacle
440.10.04	PUR seat with opening
440. * .62	PUR seat cushion
440.10.24	PUR seat w/o opening / Oslo
445.10.59	PUR back cushion, oval
307. *	Commode seat for Bonn
308.54	Shower seat for Erfurt
02.07.082	User Instructions
Accessories	
440.10.32	PUR armrest cushion (1 pc)
303.62	Assembly set IV Pole
440.45.70	Clamp strut, SB 45 cm / 0.430 kg for Bonn, Berlin, Erfurt
440.50.70	Clamp strut, SB 50 cm / 0.480 kg for New York, Boston
02.10.071	Maintenance instructions - chairs

* Provide colour

10. Setting up the chair for use

The product is delivered partially pre-assembled. The following assembly instructions must be carried out before first-time use:

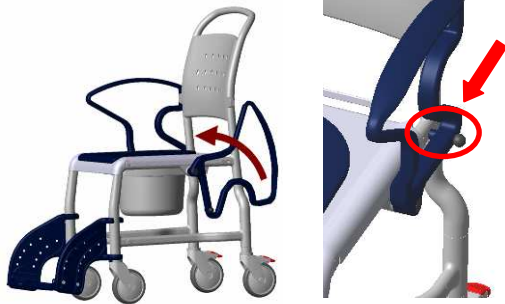
1. Turn the footrests forwards until they click into position. Then unfold the foot supports downwards. Finally adjust the height of the footrests (**see: 11.4**).



2. Swivel the armrests to the back, insert the backrest into the steel tubes of the chair frame and push it down until it hits the striker of the lower frame.



3. Then swivel the armrests forwards until they reach the slot of the backrest and click into the locking pins of the lower frame.



4. For the eventual installation of the IV Pole (accessory), use the User Instructions that are included with it.

11. Using the chair

When using the chair, the following points must be adhered to:

Before use it must be assured that the chair is in a proper condition for safe use. If necessary, depending on the physical and strength limitations of the user (patient's ability to move and muscle strength), sitting down and getting up **should not be done without assistance from a care worker**. The chair may not be used for long patient transport times.

11.1 Sitting down

Before sitting down in the chair, be sure it is secured against slipping away (**see: 11.9**) and tipping over, that the armrests are locked into position, that the shower/commode seat is properly mounted, and that the footrests are folded away to the side or folded up.



The patient should stand as closely as possible near the chair. He should then sit down slowly on the whole seat while supporting himself using both armrests.

If this is not possible due to his physical limitations, then a care-worker must assist him. If necessary a patient lifter may have to be used.



Caution – danger of falling!
To prevent the patient from falling out of the chair, be sure the patient is seated completely on the chair, and not just on the edge.

For transporting the patient, be sure he is leaned back against the seat back and be sure he uses the footrests.

11.2 Getting up

Before getting up, be sure the chair is stable and secured against slipping away (**see: 11.9**) and tipping over, that the armrests are locked in position, and the footrests are folded away to the side or folded up.

The patient should then move his body forward until his feet are flat on the floor.



The patient must then place both hands on the armrests and slowly lift himself up.

The patient must not lean too far forwards, in order to avoid falling.

The patient should have the care worker assist him when getting up.



Caution – danger of falling!

The patient must not stand on the footrests when getting up or leaving the chair.

11.3 Swivelling the armrests outwards

By pulling out the locking pin, the locking mechanism is disengaged and the armrests may be swivelled back. When swivelling the armrests up, check to be sure that the armrests are properly seated in the locking position of the backrest and locked by the locking pin.

Check the locking mechanism on a regular basis for impaired function arising from calcium deposits, which can impair the movement.

11.4 Adjusting the footrest height

The footrests are height-adjustable in stages. To do this, unscrew the screws of the footrests on the side using an SW6 Allen key. Select the appropriate height and tighten the screws of the footrest. Be sure the screw is securely tightened.

11.5 Folding away the footrests

Swivel the footplates upwards and lift the footrests. The footrests can now be swivelled back to the side.



11.6 Removing the footrests

Lift up the footrests approx. 10 cm and turn them outwards 90°. Now you can lift the footrests up and remove them.

11.7 Removing the seat

The seat can be removed from its receptacles for the purpose of cleaning or exchanging simply by pulling it up.

11.8 Removing the back cushion

The back cushion is fastened to the backrest with studs. Press the buttons to remove the back cushion.

11.9 Using the wheel locks

To lock the wheels, press the locking levers down with your foot. The wheels are now locked and not loose. Releasing the wheels is done by lifting up the locking levers with your foot.

11.10 Handling the commode pan

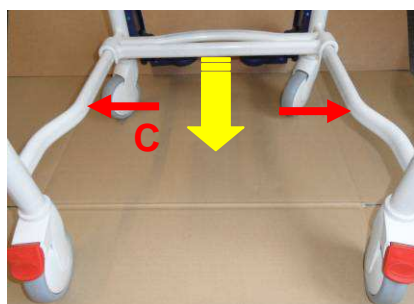
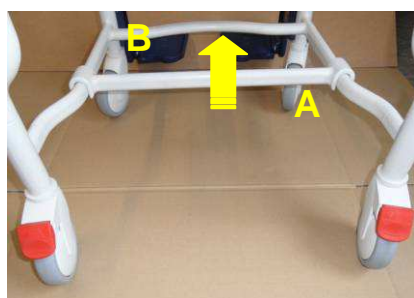
Push the commode pan under the seat from behind the chair. To remove the pan, lift it up slightly and pull it out.

For the model with a 2-piece commode rim, the commode pan can also be removed from above by lifting the seat and put back as well.

11.11 Driving over a toilet

To drive the chair far enough over a toilet, slide the clamp strut (A) by hand until it stops at the front brace (B).

After using the toilet push back the clamping bar (A), for safety reasons, until it stops (C).



12. Troubleshooting

Fault	Poss. cause	Correction
Armrests do not swivel properly	Locking pins are caked up with deposits	Clean, check periodically
Locking pins cannot be pulled out	Caked up, tension spring is jammed or defective	Clean, replace locking pin
Footrests do not swivel properly	Caked up joints, jamming	Clean, check screw connection
Castor locks do not lock	Generally defective	See Section Maintenance!
Wheel turns with difficulty	Deposits build-up	Clean
Wheel do not rotate	Generally defective	See Section Maintenance
Wheels no longer round	Wheels unevenly worn	See section on Maintenance
Chair frame too unstable	Screws are loose	Tighten frame and castor screws
Castors are bent	Bumped into objects	See Section Maintenance!

13. Care



In general the chair can be cleaned using a mild conventional cleaning and disinfecting agent. Simply wipe the chair with clean water and cloth, and then wipe dry with a clean cloth.

Do not use an abrasive scouring agent or cleaner (read the product instructions!) that contain aggressive solvents (acids, thinners). Do not use stiff cleaning brushes, as these will damage the plastic surfaces or cause deposits to build up on the plastic parts and other materials.

When using the product in a clinical area, the shower/commode chair must be cleaned on a regular basis at 85°C for 3 minutes in a cleaning machine, in addition to general cleaning. First remove any loose accessories.

14. Maintenance

The cause of accidents or damage may be due to the late detection of wear and/or improper use, as well as irregular or no maintenance.



For safety reasons and for preventing accidents, the chair must undergo a **complete maintenance at least once a year**. (Refer to the Medical Products Act and the MPBetriebV).



For documenting maintenance, REBOTEC supplies a Maintenance Book – Chairs (**see: 9.**). Here you will find information on maintenance and forms for documentation. You can order these User instructions or download via our website at www.rebotec.de.

Maintenance extent

Check at regular time intervals:

The intervals depend on the frequency the product is used and on the condition of the product.

- Check for apparent damage: (cracks, fractures, loose parts).
- All screwed connections for tightness (especially the castor wheels and the frame).
- Function of the armrests and locking pins.
- Function of the footrests (replace defective footrests).
- Rolling ability, check function of the wheels (replace defective wheels).
- Check accessories for defects.



If you have questions concerning maintenance and repairs to the chair, then contact an authorized dealer or medical equipment supply outlet.

When making repairs, use only original spare parts from REBOTEC. Observe all advisories concerning guarantee and warranty.

Never make any unauthorised modifications or conversions to the chair. These will only adversely affect the safety and function of the chair.

In such cases the manufacturer assumes no liability!

Follow all the instructions when ordering spare parts, re-use and product lifetime of the chair. After a complete maintenance or repair of the chair is done, we recommend a complete cleaning for assuring hygiene. Follow the cleaning instructions.

Accessories

IV Pole

For infusions, the chairs can be mounted with additional IV Poles. This can be done retroactively as well.

The IV Pole is available as a set (303.62). It can be installed on either the right or left side of the chair and is height adjustable. (Weight: 1.3 kg)



Armrest cushion

Armrest cushions can be clamped onto the armrests, retroactively, on both the right and left sides.

The armrest cushion allows better handling when administering infusions or taking blood samples. (Weight: 0.250 kg)



Manufacturer :

REBOTEC® Rehabilitationsmittel GmbH

DE-49610 Quakenbrück, Artlandstr. 57-59

Telephone: (+49) 5431/9416-0

Telefax: (+49) 5431/9416-66

<http://www.rebotec.de>

E-mail: info@rebotec.de

